

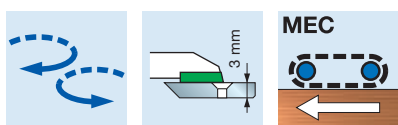
TW24M

GLODALA ZA DUŽINSKO NASTAVLJANJE 40-70 mm FINGER JOINT CUTTERHEAD



D	B	d*	Z	R	Oznaka Code
150	35 (50)	35 (50)	2+2		TW24M AB3
150	40 (50)	40 (50)	2+2		TW24M AC3

Rezervni delovi Spare parts	Dimenzije Dimensions	Oznaka Code
Nož "A" - Knife for tool. "A"	45 x 30 x 3	CW24MA AA3
Nož "B" - Knife for tool. "B"	45 x 30 x 3	CW24MB AA3
Vijak / Screw	M5 x 7 x 16	VT08M AE9
Vijak / Screw	M6 x 7 x 18	VT08M AG9
Klin / Wedge	41 x 17 x 8	CN11M B410
Vijak / Screw	M10 x 18	VT03M CC9
Ključ / Allen key	5 x 110	CB03M EA9
Imbus - Allen key	2	2619M BA9



PERFORMANCE Coltelli Riaffilabili SYSTEM Resharpenable Knives

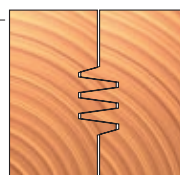
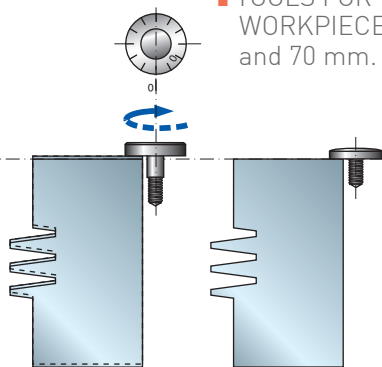
NOŽEVI DEBLJINE 3 mm KOJI SE MOGU OŠTRITI DO 6 PUTA

CUTTERHEAD SUPPLIED WITH RESHARPENABLE TC KNIVES.

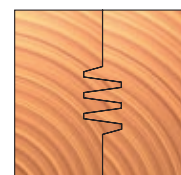
ALATI ZA PODUŽNU I POPREČNU OBRADU DRVETA. Podesivo za debljine drveta od 40÷70 mm.

TOOLS FOR WORKING LONG AND CROSS GRAIN ON SHORT WORKPIECES. Adjustable for wood thicknesses between 40 and 70 mm.

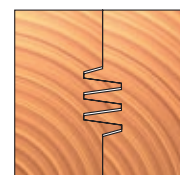
PRIMERI PODEŠAVANJA SPOJA
ADJUSTMENT EXAMPLES



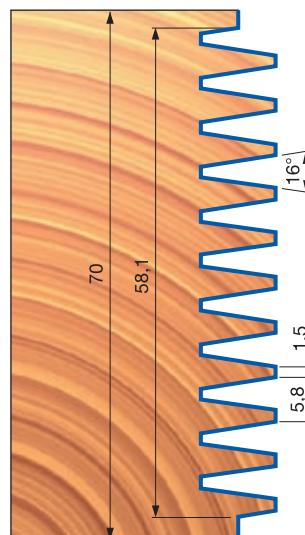
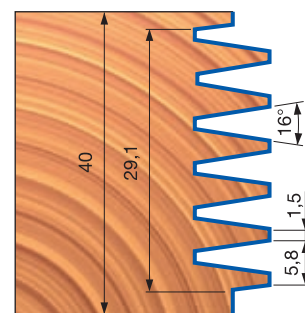
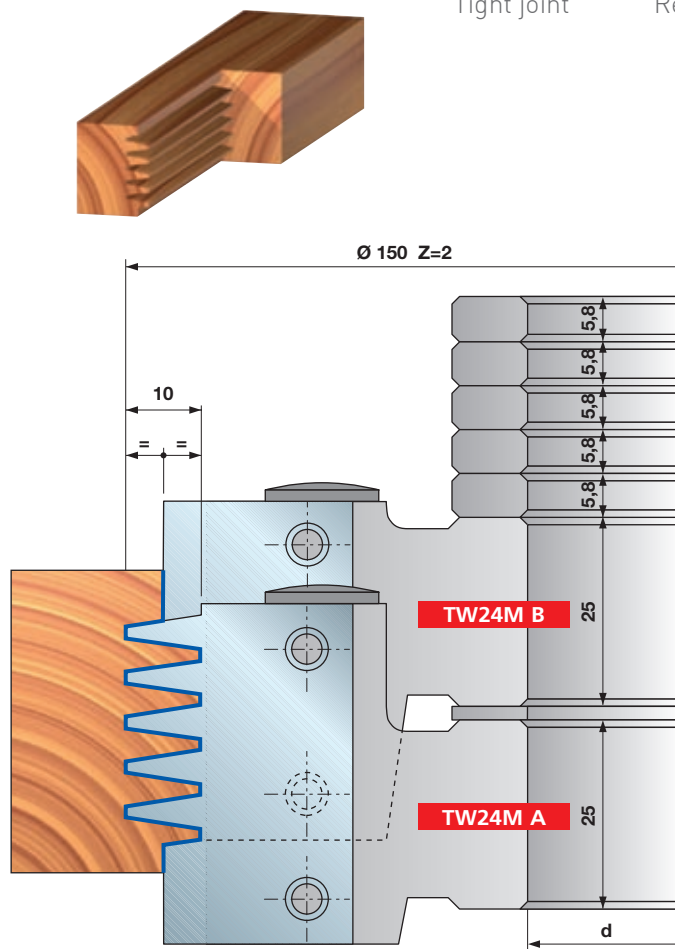
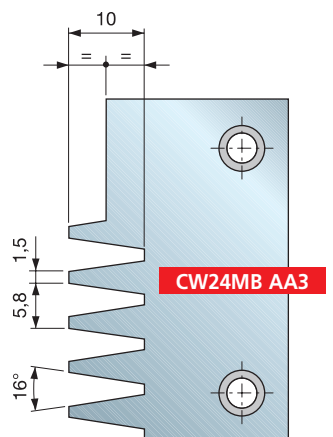
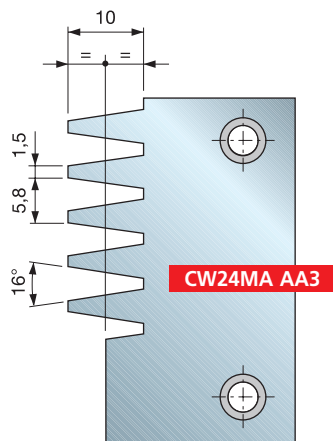
Tesni spoj
Tight joint



Normalni spoj
Regular joint



Labav spoj
Loose joint



* Mera između zagrada je maksimalna vrednost na koju se otvor može proširiti • Size shown between brackets is the max. rebore possible